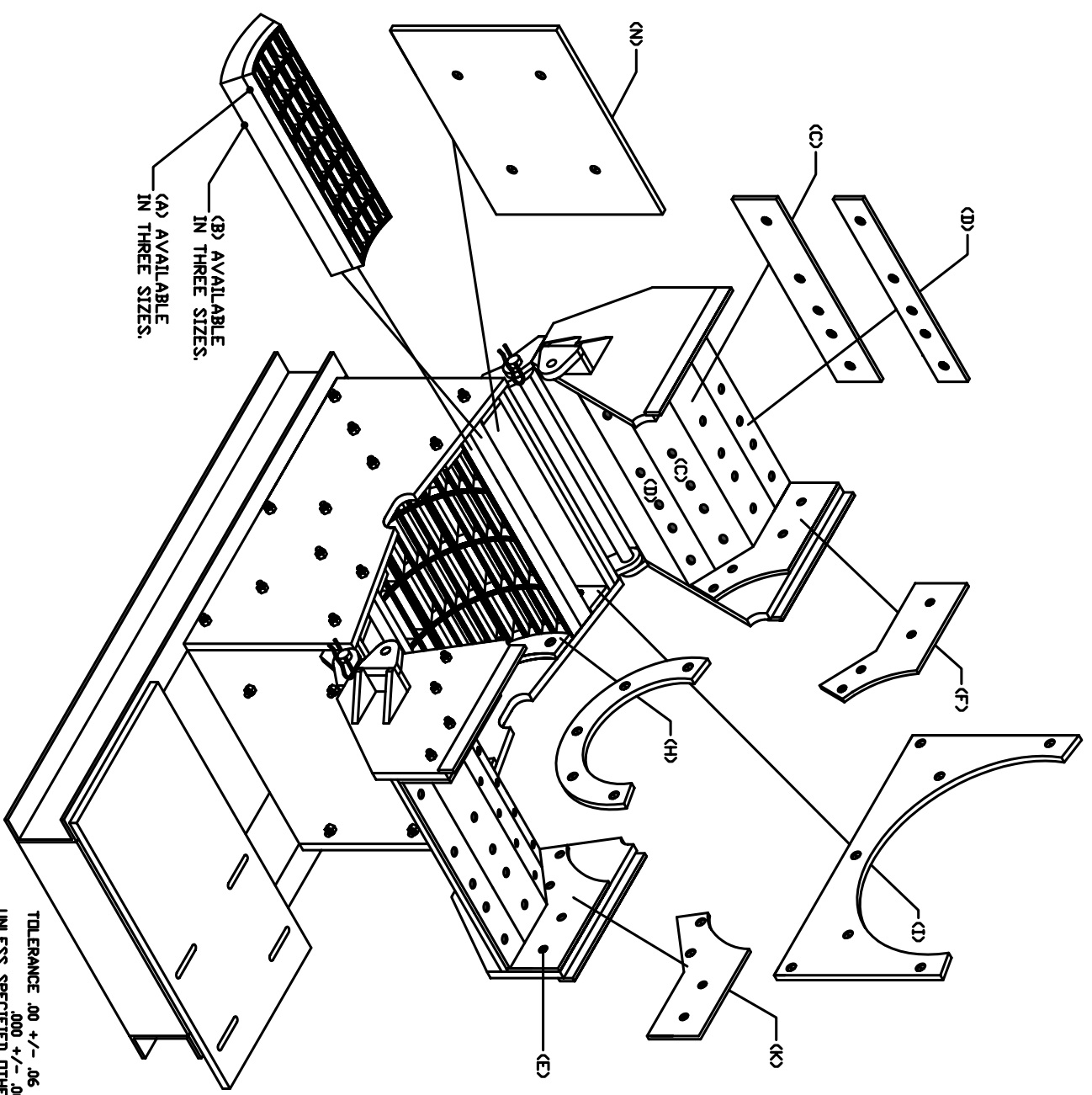



NOTE: AR LINERS ONLY



TOLERANCE .00 +/- .06  
 .000 +/- .005  
 UNLESS SPECIFIED OTHERWISE.

INDEX	QTY.	DIMENSION	DESCRIPTION
A	5	RAP SCREEN	CUSTOMER REQUEST
B	5	SCREEN SUPPORT	CUSTOMER REQUEST
C	4	B-024-234-B	RC-20-201
D	4	B-024-235-B	RC-20-202
E	56	15-115PB	PLDW / BOLTS\NUTS
F	2	B-024-231-B	RC-20-203
H	2	B-024-229-B	RC-20-206
I	2	B-024-228-D	RC-20-205
K	2	B-024-232-B	RC-20-204
N	2	B-024-253-A	RC-20-207
D	32	58-212PB8	PLDW BOLTS\NUTS

INDEX DD NDT SCALE THIS DRAWING  
 P/N RC-20-200



**KENCOD ENGINEERING**

P.O. BOX 1467  
 RUSSELLVILLE, CALIF. 95747  
 PHONE (800) 423-4518 FAX (916) 783-3494

DRAFTSMAN DATE  
 CHRIS R. 5/4/99  
 APPROVED DATE  
 REFERENCE: C-024-274-B

RAP CRUSHER  
 LINER LAYOUT  
 KENCOD ENGINEERING

- OF - C-024-238-D