



Kenco Engineering, Inc.

Longer Wearlife for Asphalt Plant Parts

Minimize your bearing changes with "K Chrome" Dry Bearings

Kenco Dry Bearings and Coupling Shafts are made to give exceptionally long wear life. Customers report significantly longer life over the chilled iron bearings. Reduced downtime, labor, and fewer parts replacements mean increased productivity and lower operating costs. Fewer bearing changes mean fewer trips into the baghouse-- less dust exposure means greater safety.



Kenco "K Chrome" Dry Bearing and Coupling Shafts

Features:

- Kenco "K Chrome" 500 Brinell alloy assures longer wear life
- Customers report 3 to 5 times longer life
- Reduced downtime
- Lower bearing inventory
- Less maintenance
- Reduced exposure to harmful environment
- Reduced auger damage
- Most popular sizes available



Kenco gives you this... not this!



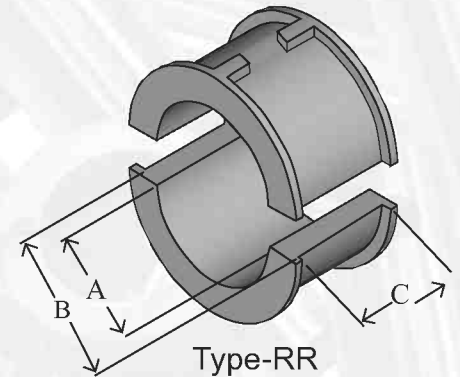
Important note:

Kenco Dry Bearings must be used with our coupling shafts. Both are cast of our "K Chrome" so as to even out the wear. Please order in sets.

Kenco Extra Long Life "K-Chrome" Dry Bearings

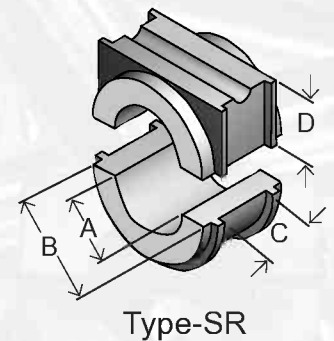
Type-RR (Round-Round)

Kenco P/N	A Diameter	B Diameter	C Diameter
DB-100	1-1/2"	2-1/8"	1-5/8"
DB-100 Bearing Kit	1-1/2" D-101	2-1/8"	1-5/8"
DB-110 Bearing Kit	2" D-102	2-3/4"	1-1/2"
DB-120 Bearing Kit	3" D-103	4"	2-3/8"
DB-150-217 Bearing Kit	2-7/16" D-108	3-1/4"	2-3/8"



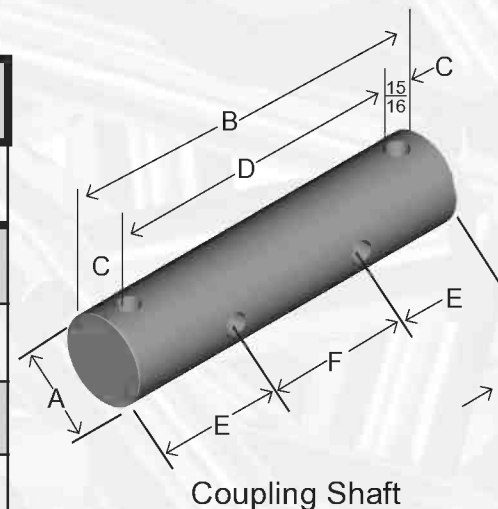
Type-SR (Square-Round), one each

Kenco P/N	A Diameter	B Diameter	C Diameter	D Diameter
DB-140 DB-141 Bearing Kit	2" D-105	3-1/4"	1-1/2"	1-5/8"
DB-150 DB-151 Bearing Kit	2-7/16" D-106	4"	1-5/8"	1-5/8"
DB-160 DB-161 Bearing Kit	3" D-107	4-1/2"	2-1/8"	2-3/16"



Coupling Shaft

Kesnco P/N	A Dia.	B Dia.	C Dia.	D Dia.	E Dia.	F Dia.	Lbs.
CP-100	1-17/32"	12"	1-1/8"	9-3/4"	4-1/8"	4-1/8"	5.3
CP-110	2"	11-1/2"	7/8"	9-3/4"	3-7/8"	3-3/4"	7.8
CP-150	2-7/16"	12-3/4"	15/16"	10-7/8"	3-15/16"	4-7/8"	13.5
CP-120	3"	13"	1"	11"	4"	5"	23.5



Kenco Engineering, Inc.

P.O. Box 1467
Roseville, CA 95678
800-363-9859
www.kencoengineering.com

Distributed by:

